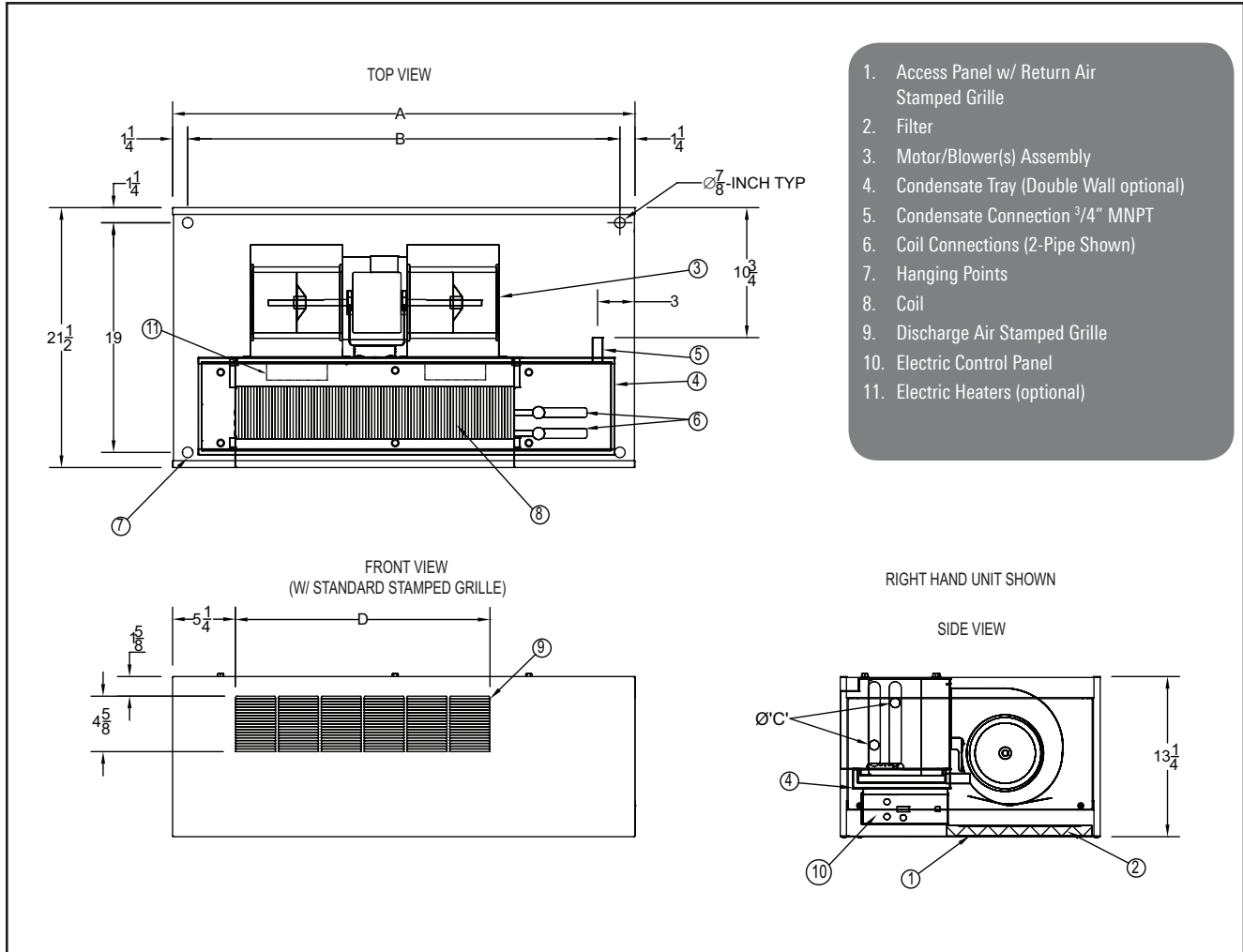


DIMENSIONS

HBE EXPOSED CABINET



| Model | Dimensions (inches) | | | | | Approx. Weight (pounds) |
|-------|--------------------------------|--------------------------------|-------------------------------|----------------------------------|-----------------|-------------------------|
| | A | B | C | D | Filter | |
| HBE02 | 29 ¹ / ₄ | 26 ³ / ₄ | 5 ⁵ / ₈ | 14 | 16 x 12 x 1 | 98 |
| HBE03 | 32 ¹ / ₄ | 29 ³ / ₄ | 5 ⁵ / ₈ | 15 ¹¹ / ₁₆ | 24 x 12 x 1 | 112 |
| HBE04 | 38 ¹ / ₄ | 35 ³ / ₄ | 5 ⁵ / ₈ | 21 ¹ / ₁₆ | 29 x 12 x 1 | 126 |
| HBE06 | 47 ¹ / ₄ | 44 ³ / ₄ | 5 ⁵ / ₈ | 31 ¹³ / ₁₆ | 38 x 12 x 1 | 144 |
| HBE08 | 55 ¹ / ₄ | 52 ³ / ₄ | 5 ⁵ / ₈ | 39 | 46 x 12 x 1 | 165 |
| HBE10 | 65 ¹ / ₄ | 62 ³ / ₄ | 7 ⁷ / ₈ | 49 ¹ / ₂ | (2) 28 x 14 x 1 | 196 |
| HBE12 | 75 ¹ / ₄ | 72 ³ / ₄ | 7 ⁷ / ₈ | 60 | (2) 31 x 14 x 1 | 221 |

All dimensions are in inches